



Truss to Wall Connections

10801 Town Square Drive NE, Blaine MN 55449

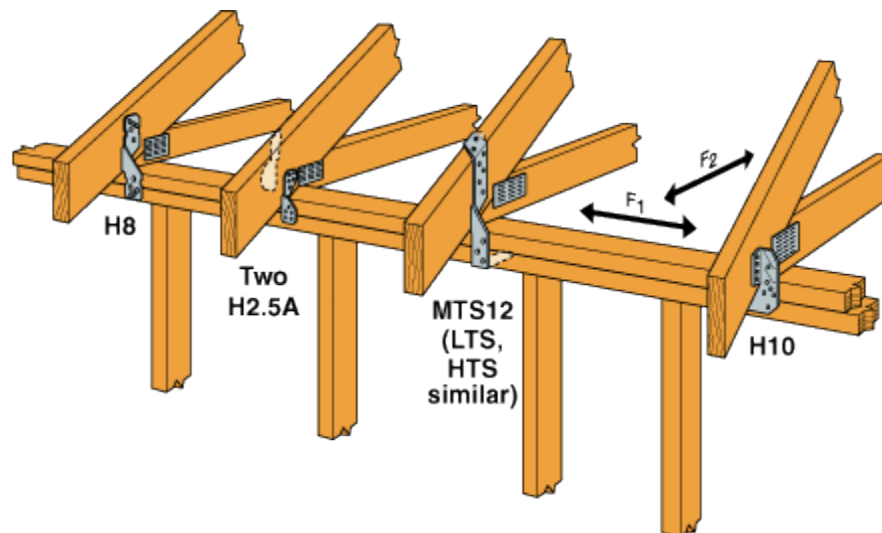
Building Inspections Department

phone: 763-785-6170 | fax: 763-785-6111 | BlaineMN.gov

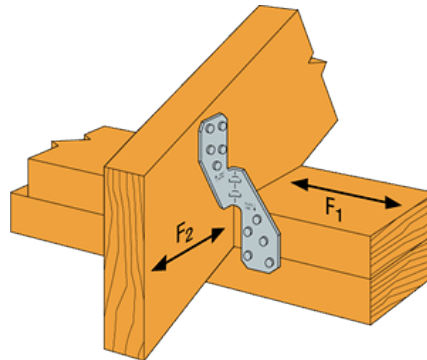
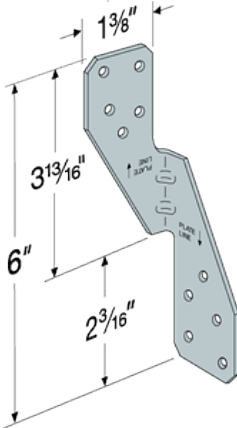
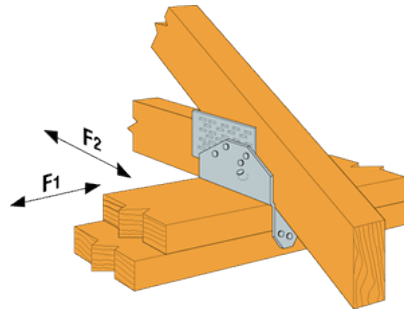
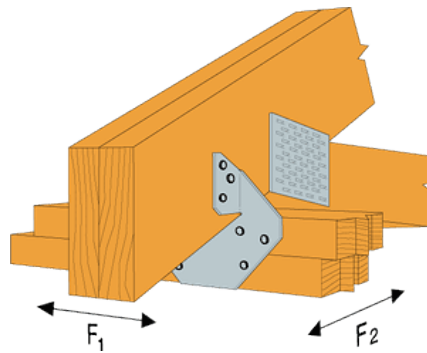
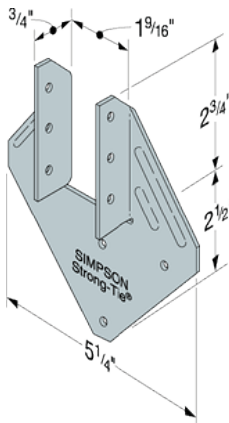
This handout is intended only as a guide and is based in part on the 2020 Minnesota State Building Code, Blaine City ordinances, and good building practice. While every attempt has been made to insure the correctness of this handout, no guarantees are made to its accuracy or completeness. Responsibility for compliance with applicable codes and ordinances falls on the owner or contractor. For specific questions regarding code requirements, refer to the applicable codes or contact your local Building Department.

An important aspect of the construction of any building is the connection between the roof and the walls. To determine the appropriate connection method, the Minnesota Building Code provides two options to builders using wood trusses in roof construction. One method is to use toenails. The other method is to use readily available connectors that are made specifically for this purpose. If toenails are to be used, the resistance to withdrawal for the number and size of toenails to be used must exceed the uplift on the truss design drawings. Care must be exercised in properly installing toenails so that they achieve their desired withdrawal resistance.

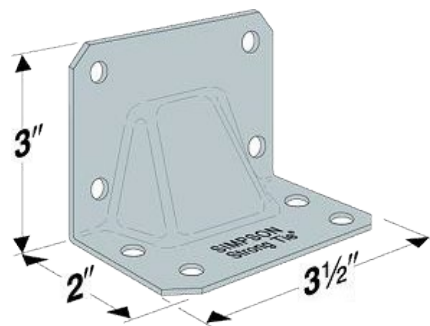
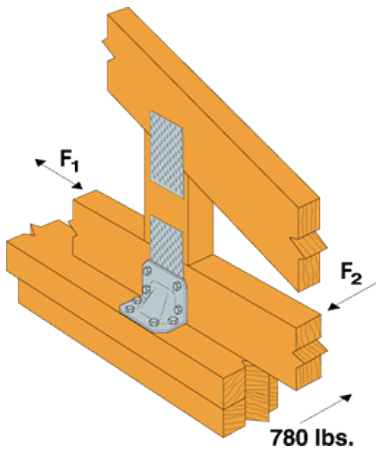
Connectors must be installed in accordance with the installation instructions provided by the manufacturer. Connectors must be in place and visible at the time of the framing inspection.



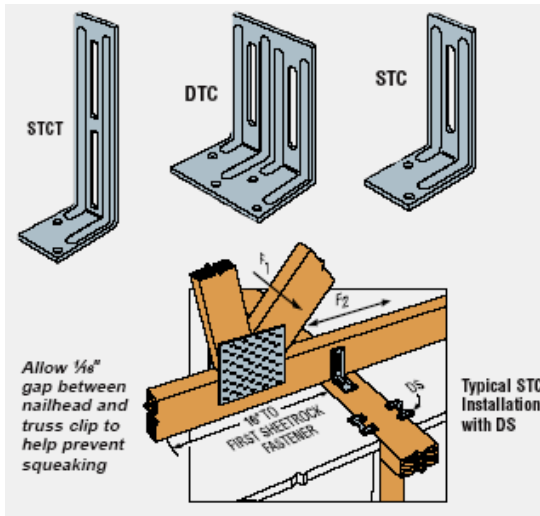
Shown above are a variety of connectors that may be used to attach trusses to walls.



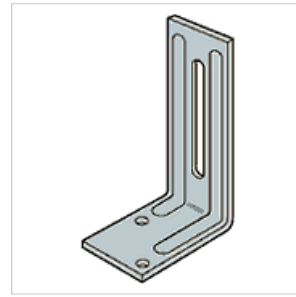
Three examples of truss connectors and how they are installed.



One area that should not be overlooked is the gable end truss. Connectors made especially for connecting gable end trusses are available.



STC



For alignment control between a roof truss and nonbearing walls. Use with Drywall Stop (DS) to help prevent fasteners tearing through ceiling sheetrock.

Trusses should not be connected to nonbearing interior partitions but should be allowed "to float". A number of different types of connectors are made to maintain truss alignment without creating a solid connection. Note the warning that nails installed in the slots should not be fully driven to allow the truss to move up and down.

